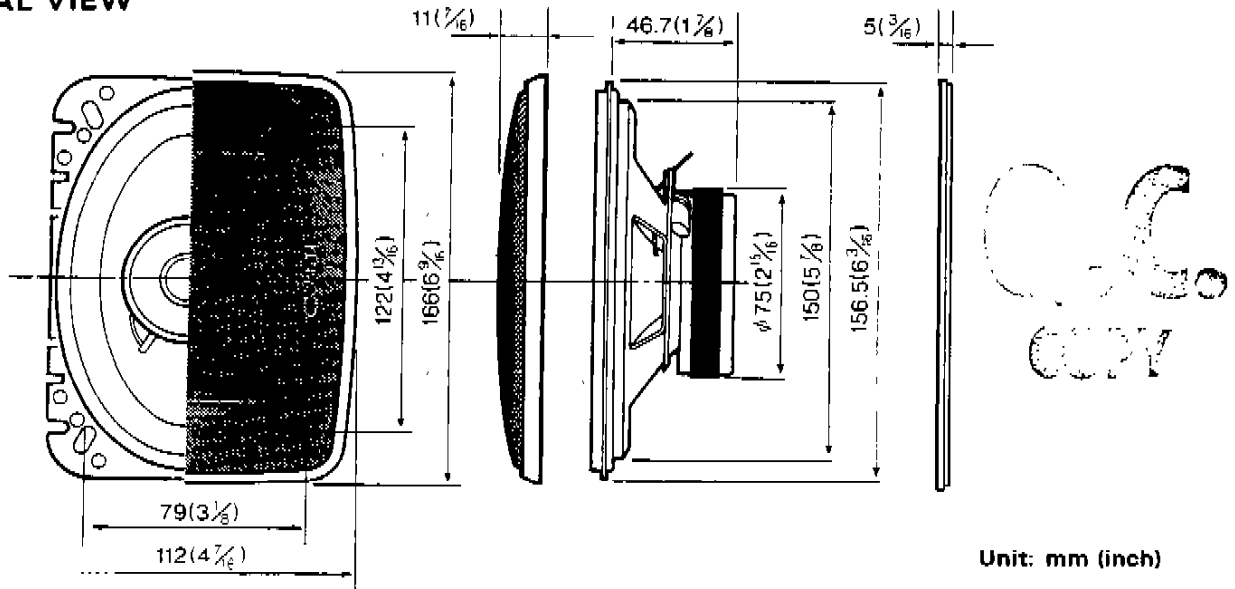


# KFC-4671

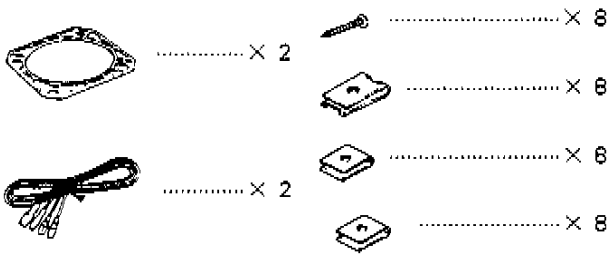
## SERVICE MANUAL

© 1987-12 PRINTED IN JAPAN  
B51-3407-00 (G) 1855

### EXTERNAL VIEW



### PARTS INCLUDED



### PARTS LIST

★ New parts  
Parts without **Parts No.** are not supplied.  
Les articles non mentionnés dans le **Parts No.** ne sont pas fournis.  
Teile ohne **Parts No.** werden nicht geliefert.

New Parts	Parts No.	Description
★	B06-0272-08	FRONT GRILLE
	E30-1457-08	SPEAKER CORD
	N99-0682-08	SCREW SET
★	T15-0102-08	SPEAKER

### SPECIFICATIONS

Speakers  
 Woofer..... 4 × 6in cone type,  
 3.65oz magnet  
 Tweeter..... 2in cone type, 0.35 Alnico magnet  
 Peak input power..... 45 Watts  
 Sensitivity..... 91dB/W at 1m  
 Impedance..... 4 ohms  
 Weight per speaker with grille.... 0.45kg (1.0lb)/pc

We follow a policy of advancements in development.  
 For this reason specifications may be changed without notice.